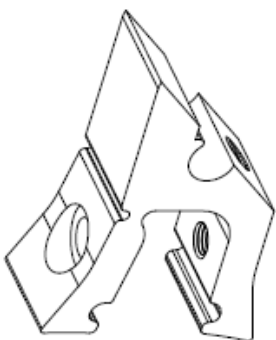
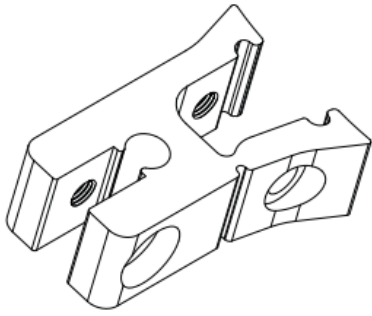


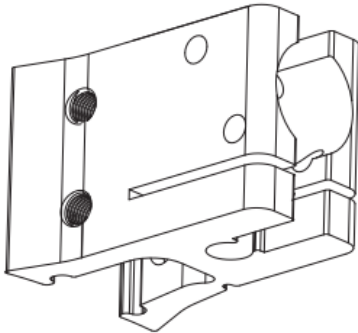
30 mm bracket for signs screwed at 90° to face
M201/267-30C (includes fixing bolt)



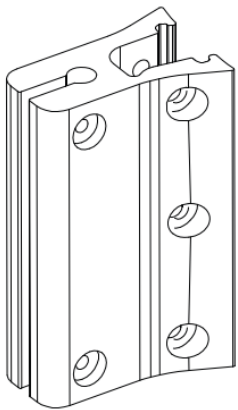
30 mm bracket for signs at 45°
M201/267-30A (includes fixing bolt)



30 mm bracket for inline signs
M201/267-30P (includes fixing bolt)



60 mm bracket for banner and CCTV arms
M201/267-60 (Includes fixing bolt)



150 or 225 mm bracket for street signs
(includes two clamp plates to hold sign)
M201/267-150
M201/267-225



Bicycle hoop
MPBIKERING (includes fasteners)