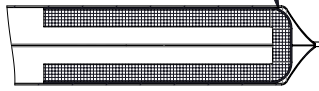


WEBBING REINFORCING

STITCHED INTERNALLY TO ENSURE THAT Ø 50 BANNER ARM CANNOT PUSH THROUGH END



SECTION A-A
SCALE 1 : 5

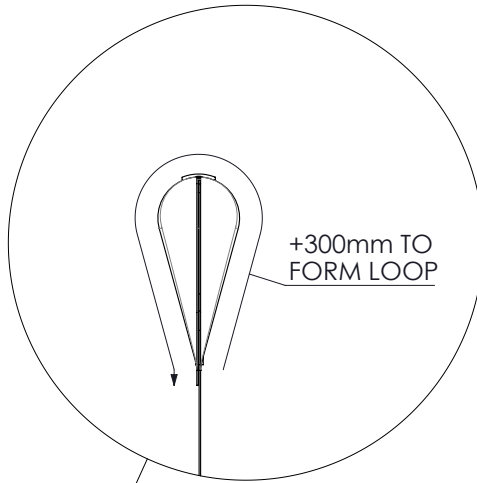
Ø 10 EYELET
WITH WEBBING
REINFORCEMENT

20

A A

1000 MAX.
HOOK
SPACING

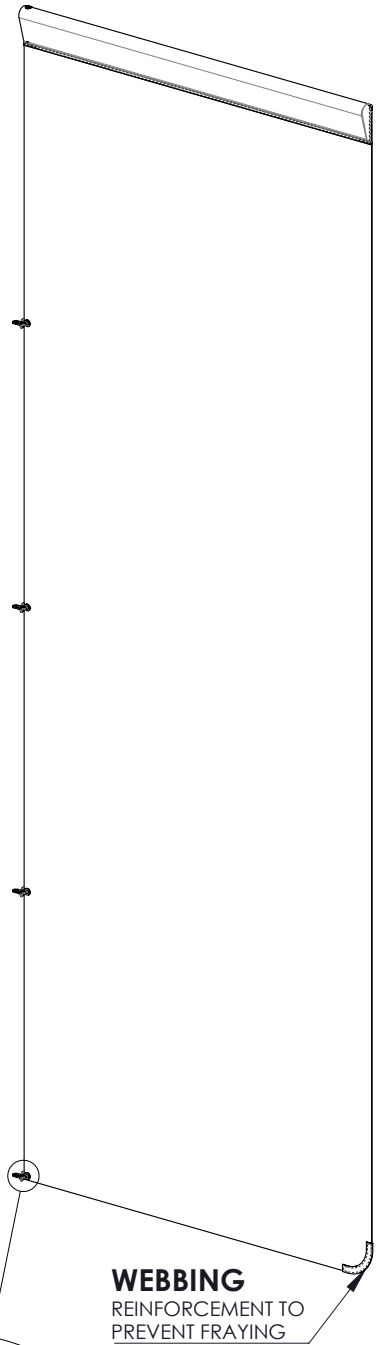
UP TO
1500



+300mm TO
FORM LOOP



UP TO
4500



WEBBING
REINFORCEMENT TO
PREVENT FRAYING

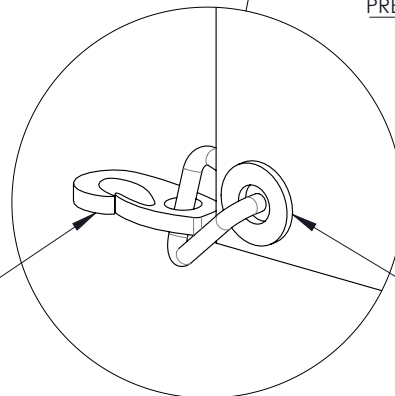
IMPORTANT:

BANNER SIZE MUST BE SPECIFIED IN CONSULTATION WITH AN ENGINEER CONSIDERING POLE TYPE, HEIGHT, WIND REGION, FOOTINGS AND MORE.

TYPICAL MAXIMUM BANNER SIZE IS 3.0 x 1.0m WITH SINGLE TOP ARM IN CYCLONE PRONE AREAS

NYLON HOOK WITH GATE

DECK HARDWARE SKU: A659B
WHITWORTHS CAT.No: 43760
OR EQUIVALENT



Ø 10 EYELET
OR WEBBING LOOP

NOTE

PATENT PENDING
ALL INFORMATION CONTAINED IN THIS DRAWING IS CONFIDENTIAL AND MUST NOT BE DISCLOSED TO OR COPIED BY ANY THIRD PARTY WITHOUT WRITTEN CONSENT FROM GOODCART AUSTRALIA PTY LTD.

COPYRIGHT GOODCART AUSTRALIA PTY LTD 2018
AUSTRALIAN DESIGN REGISTERED PATENTS APPLIED FOR

BANNER FINISHING SPECIFICATION

